



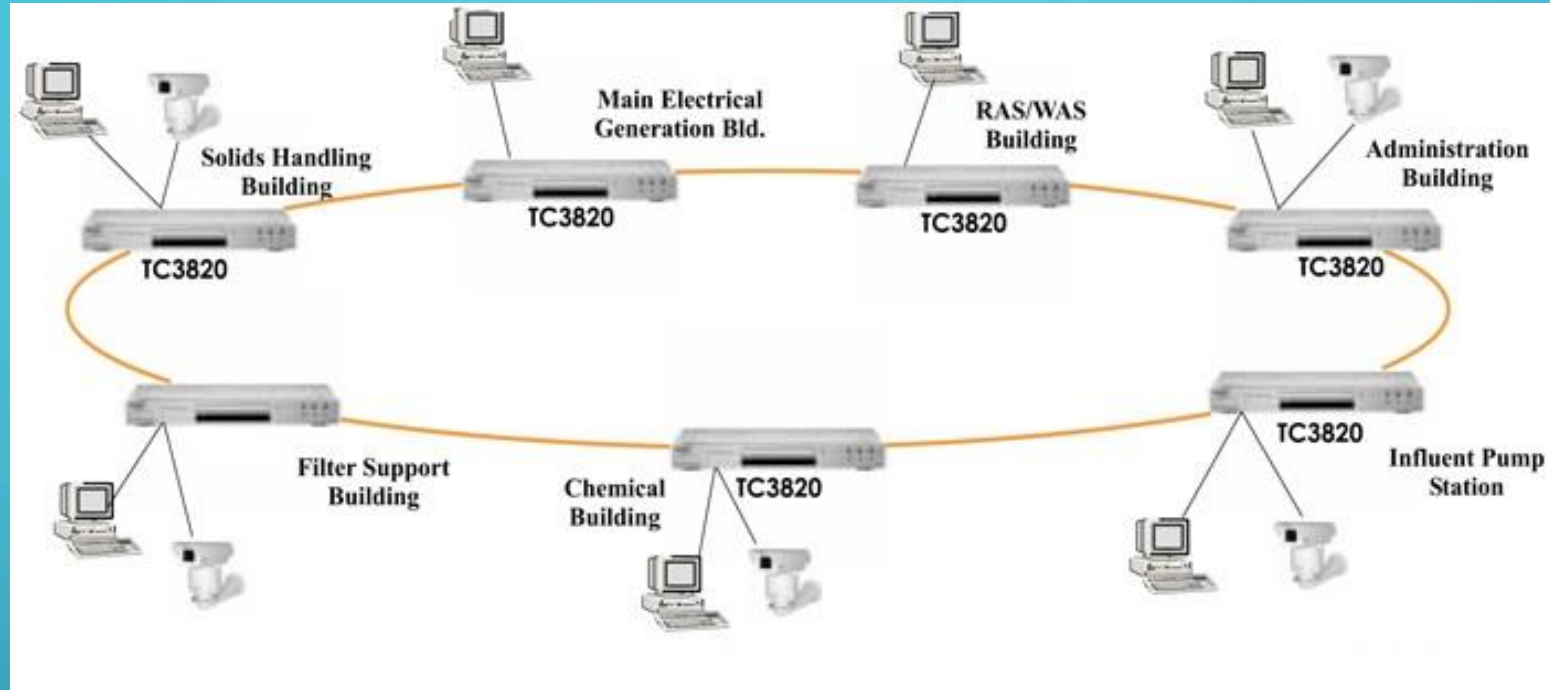
CITY OF ROWLETT

PROJECT: FIBER RING CLOSURE

WHAT IS A FIBER RING?

...a circular pattern of fiber optic cables interconnected to transmit data and information at very high speeds over a relatively short distance within a specific region.

- Fault Tolerance
- Redundancy
- Improved Performance
- Efficient Management
- Supports High Bandwidth
- Connect Remote City Facilities



METROPOLITAN AREA NETWORK (MAN)

Buildings connected via fiber optic cable...



0 1,875 3,750 Feet
 Map Date: 8/24/2014



Fiber Ring Closure

FS 1 to PD: \$22,100

UG to FS2: 30,550

FS1 to FS2 44,054

FS3 to FS2 35,642

Total \$132,346

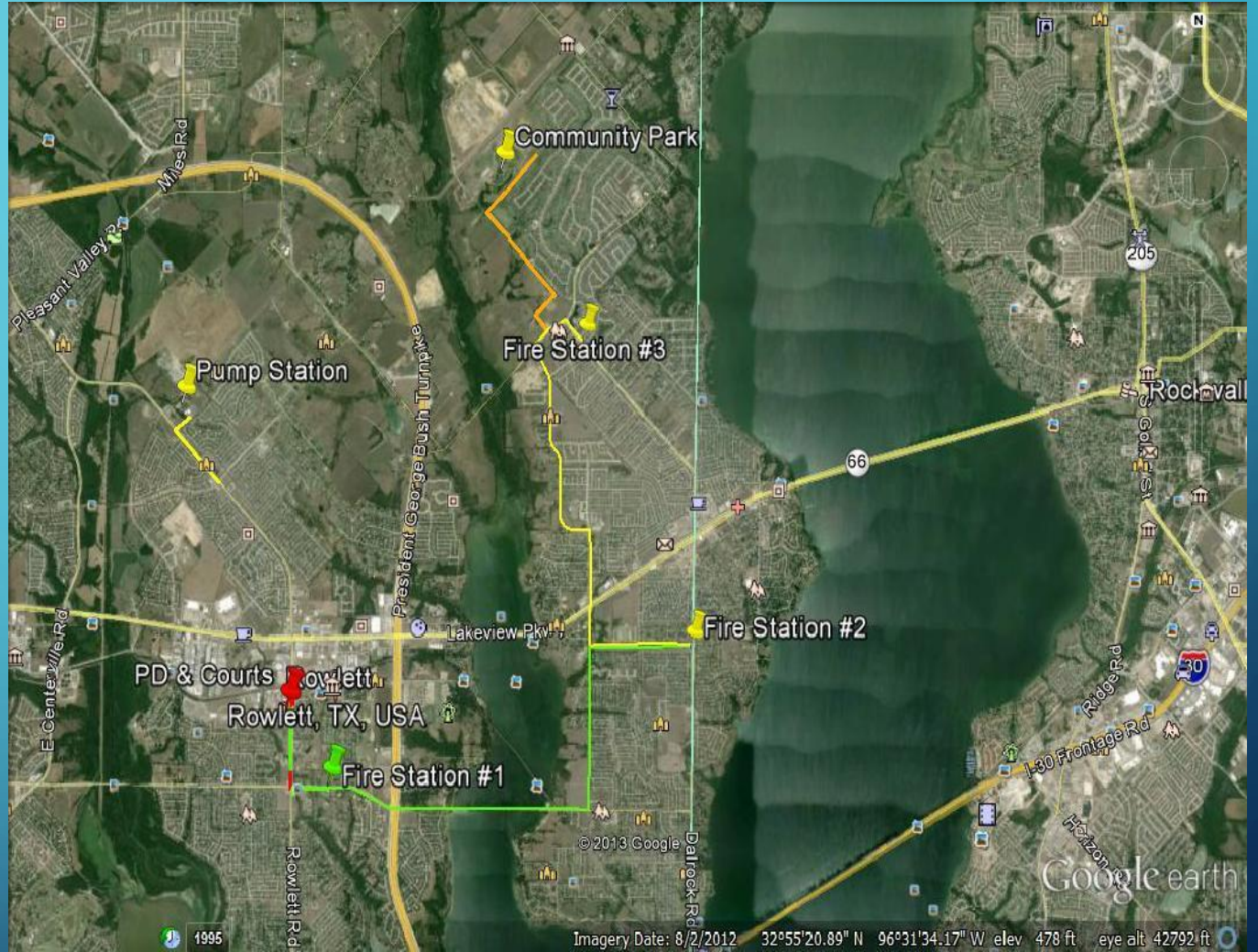
EBR: \$100,000

Pump Station: 25,000

Comm. Park: 20,000

Total \$145,000

Investment: \$277,346





QUESTIONS?